

13175-001

MATCHLINE SHEET 56
MATCHLINE SHEET 58

MATCHLINE SHEET 56
MATCHLINE SHEET 58

TIMMONS GROUP
YOUR VISION ACHIEVED THROUGH OURS.

Site Development | Residential | Infrastructure | Technology

VIRGINIA | NORTH CAROLINA

THIS DRAWING PREPARED AT THE
CORPORATE OFFICE
1001 Boulders Parkway, Suite 300 | Richmond, VA 23225
TEL 804.200.6500 FAX 804.560.1016 www.timmons.com

35092

THIS SHEET IS FOR
LANDSCAPING PURPOSES
ONLY!

PLANT KEY

TREES	BOTANICAL NAME
ACE LEG	ACER SACCHARUM 'LEGACY'
LIR TUL	LIRIODENDRON TULIPIFERA
MAG BRA	MAGNOLIA GRANDIFLORA 'BRACKENS BROWN BEAUTY'
NYS SYL	NYSSA SYLVATICA
PIN TAE	PINUS TAEDA
QUE LYR	QUERCUS LYRATA
QUE PHE	QUERCUS PHELLOS
QUE RUB	QUERCUS RUBRA
ULM PRI	ULMUS AMERICANA 'PRINCETON'
ULM BOS	ULMUS PARVIFOLIA 'BOSQUE'

UNDERSTORY TREE	BOTANICAL NAME
ACE BUE	ACER BUERGERIANUM
ACE BLO	ACER PALMATUM 'BLOODGOOD'
AME ARB	AMELANCHIER ARBOREA 'AUTUMN BRILLIANCE'
BET NIG	BETULA NIGRA 'LITTLE KING' TM
JUN VIR	JUNIPERUS VIRGINIANA
JUN BUR	JUNIPERUS VIRGINIANA 'BURKIT'

SHRUBS	BOTANICAL NAME
ARO MEL	ARONIA MELANOCARPA
BER THU	BERBERIS THUNBERGII 'ADMIRATION'
BUX MIC	BUXUS MICROPHYLLA JAPONICA 'WINTER GEM'
DIS BLU	DISTYLUM X 'BLUE CASCADE'
ITE VIR	ITEA VIRGINICA 'HENRY'S GARNET'
JUN OWL	JUNIPERUS VIRGINIANA 'GREY OWL'
LOR CHI	LOROPETALUM CHINENSE RUBRUM 'RUBY'
RHU ARO	RHUS AROMATICA 'GRO-LOW'
ROS SUN	ROSA X 'SUNNY KNOCKOUT'

PERENNIALS	BOTANICAL NAME
AMS TAB	AMSONIA TABERNAEMONTANA 'BLUE ICE'
LEU SUP	LEUCANTHEMUM X SUPERBUM 'BECKY'
PER ATR	PEROVSKIA ATRIPLICIFOLIA 'BLUE SPIRES'

GROUND COVERS	BOTANICAL NAME
ACH FIL	ACHILLEA FILIPENDULINA 'CORONATION GOLD'
JUN HOR	JUNIPERUS HORIZONTALIS 'BLUE CHIP'

Rinker Design Associates, P.C.
9385 Discovery Boulevard, Suite 200, Manassas, VA 20108 Telephone: (703) 368-7373 Fax: (703) 287-5443
on the web @ www.rdacivil.com

Engineering * Surveying * Land Planning * Transportation * Environmental Services
"Turning Challenges into Opportunities"

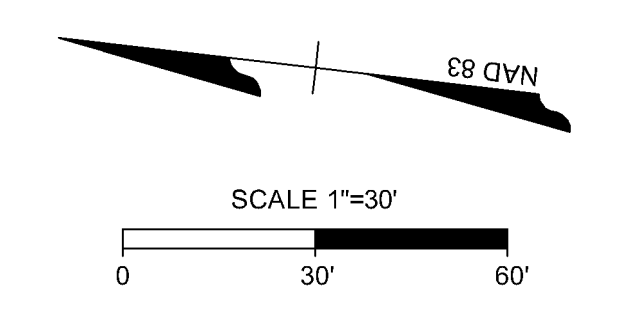
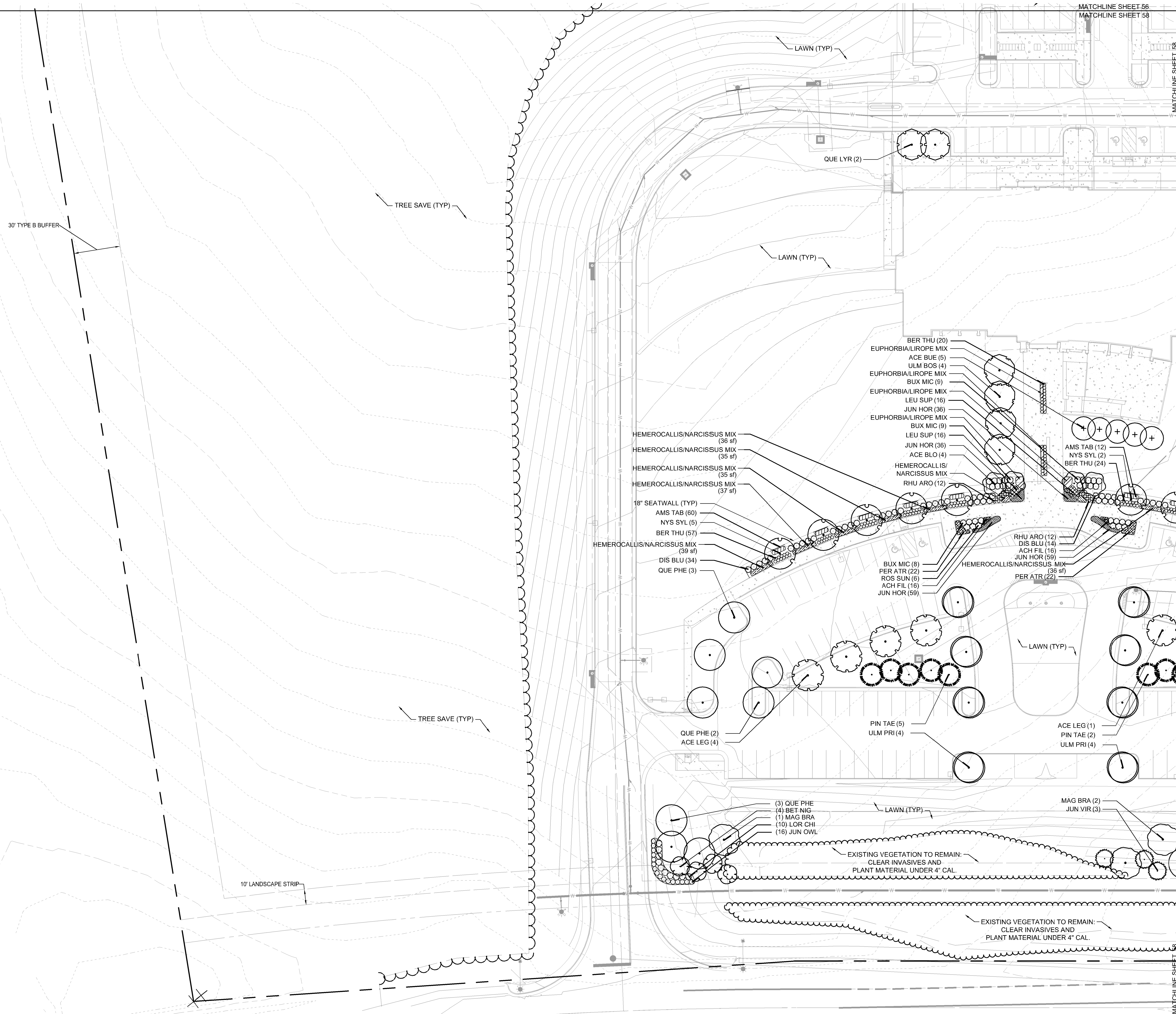


LANDSCAPE PLAN

PRINCE WILLIAM COUNTY
CENTRAL DISTRICT
POLICE STATION
OCCOQUAN MAGISTERIAL DISTRICT
PRINCE WILLIAM COUNTY, VIRGINIA

REVISIONS:

DATE:	AUGUST 2014
SCALE:	1"=30'
DESIGN:	EGM
DRAFT:	EGM
CHECKED BY:	LCL
ARCH:	MOSELEY
JOB NUMBER:	13175-001
SHEET:	58 OF 65



DRAWING NAME: S:\310\35092-PWC CENTRAL POLICE STATION\DWG\SHEET_CD\35092L-L11-PLNT.DWG